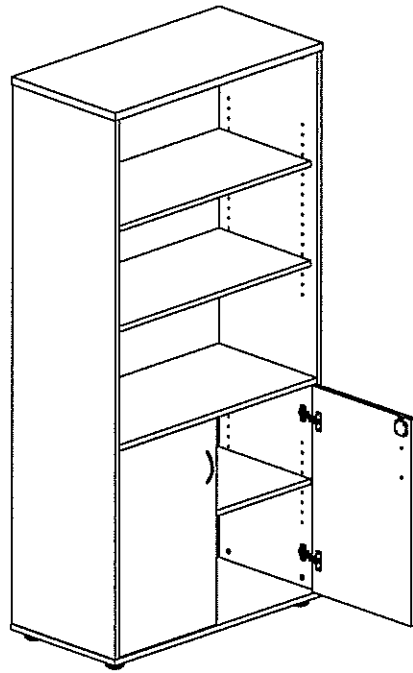
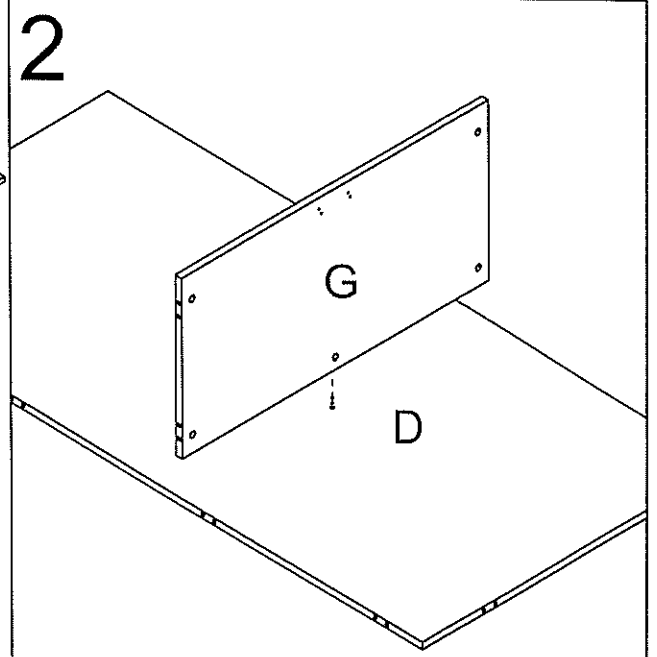
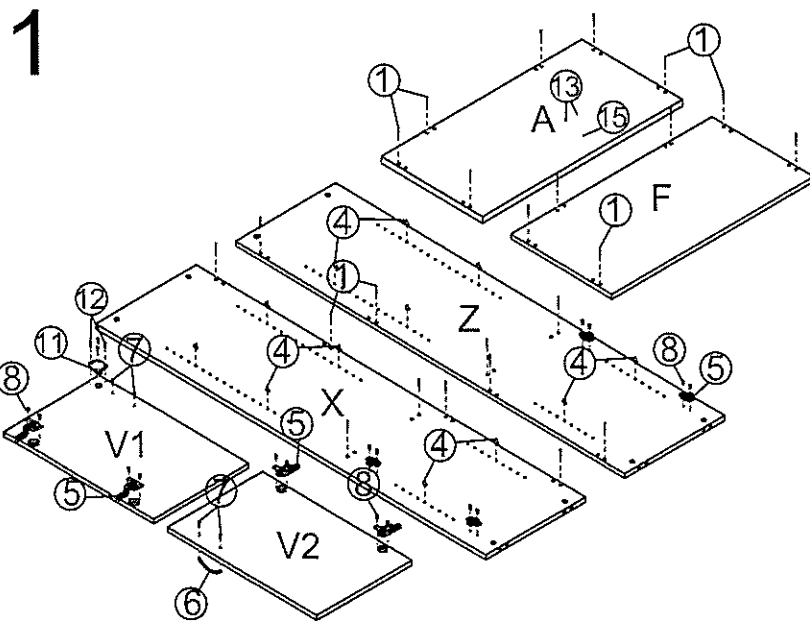
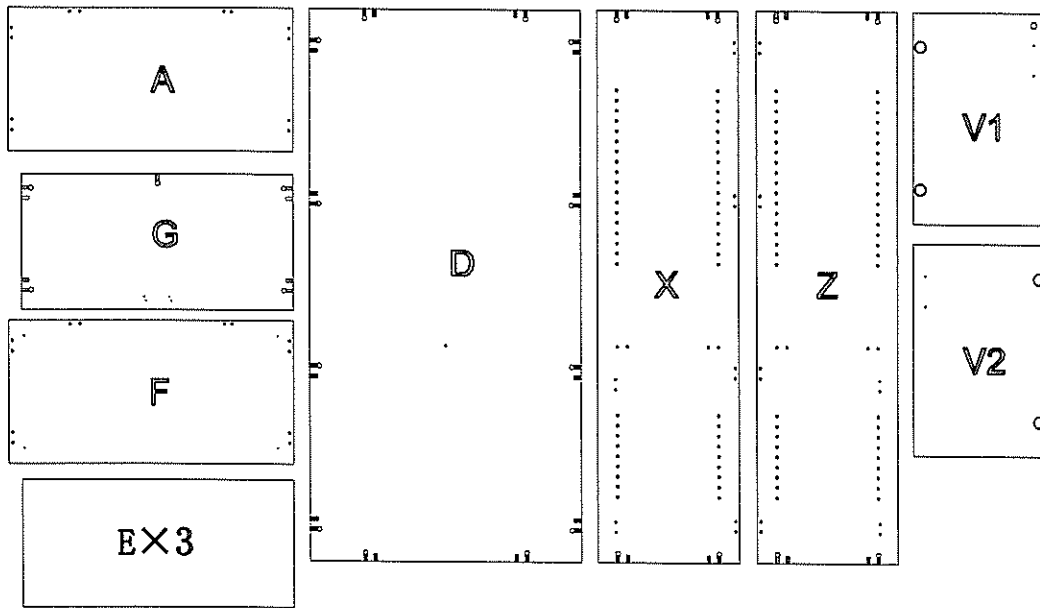


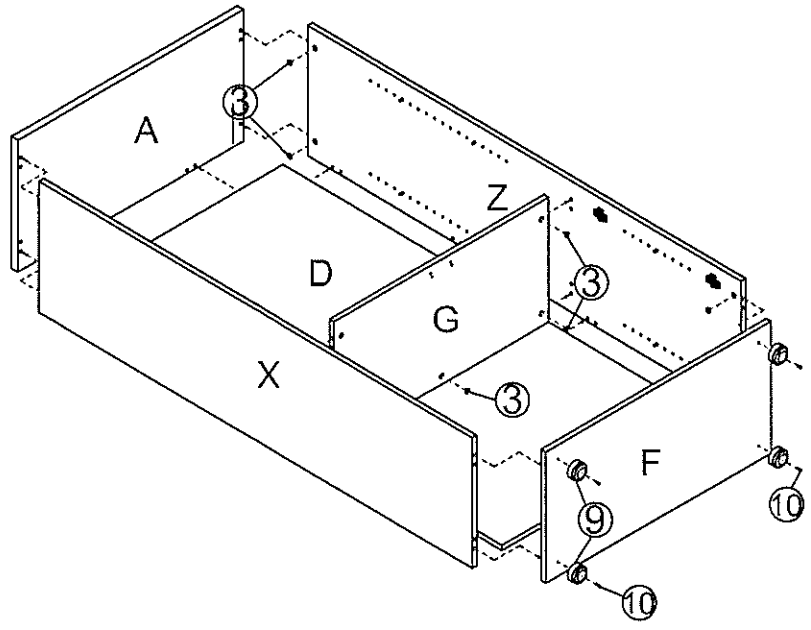
ASSEMBLY INSTRUCTIONS



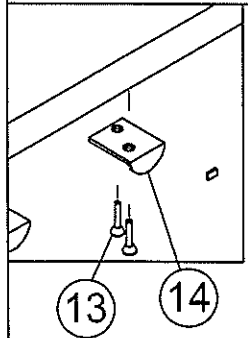
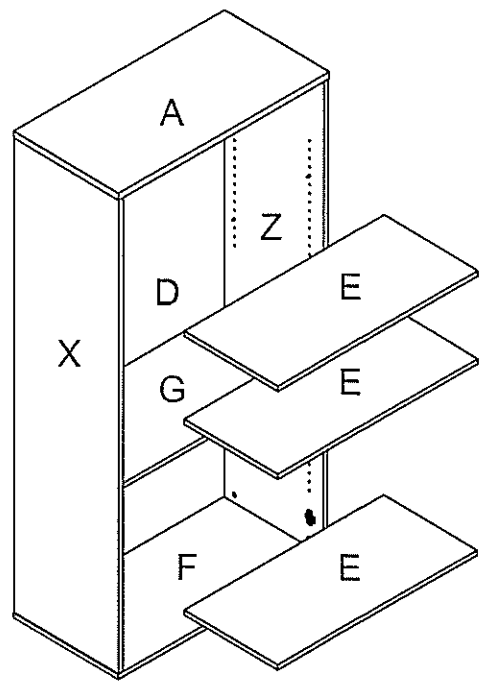
Pin 1 25PCS	6x38 CAM 2 25PCS
Door Cover 3 25PCS	Box Mirror 4 12PCS
Finger Mount Plate 5 4PCS	T-Handle 6 2PCS
Screw 7 4PCS	Screw 8 16PCS
CUSHION 9 4PCS	Screw 10 4PCS
LOCK 11 1PCS	Screw 12 4PCS
Screw 13 4PCS	LOCK CATCH 14 2PCS



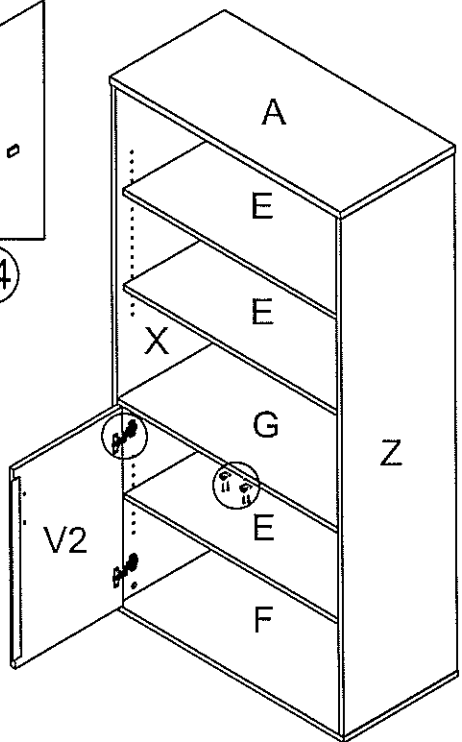
3



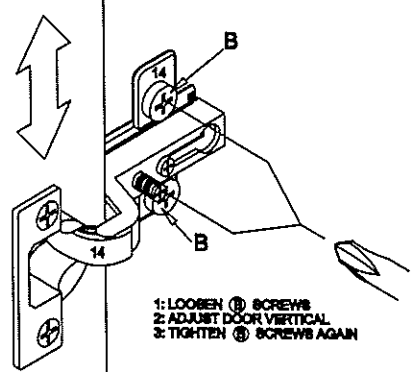
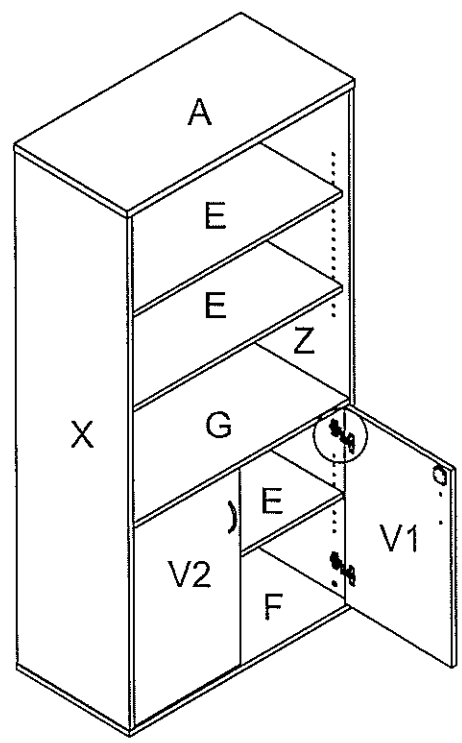
4



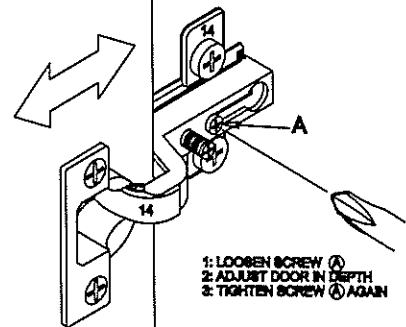
5



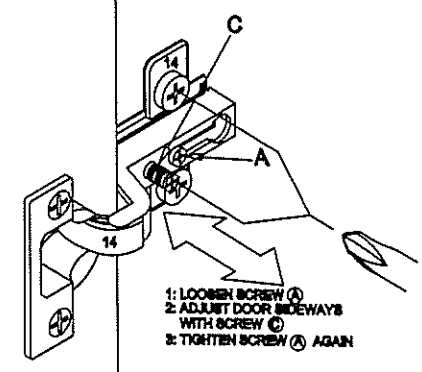
6



1: LOOSEN ⑬ SCREWS
 2: ADJUST DOOR VERTICAL
 3: TIGHTEN ⑬ SCREWS AGAIN



1: LOOSEN SCREW ⑬
 2: ADJUST DOOR IN DEPTH
 3: TIGHTEN SCREW ⑬ AGAIN



1: LOOSEN SCREW ⑬
 2: ADJUST DOOR SIDEWAYS
 WITH SCREW ⑬
 3: TIGHTEN SCREW ⑬ AGAIN