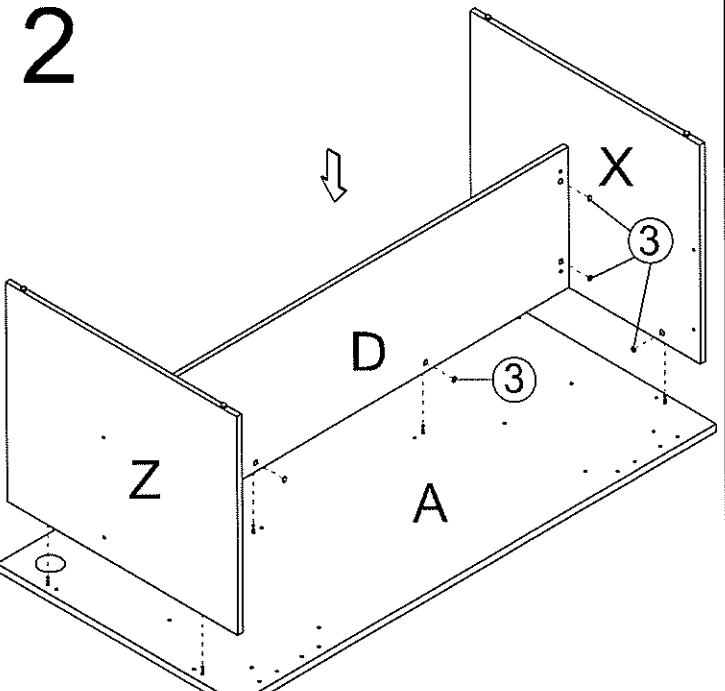
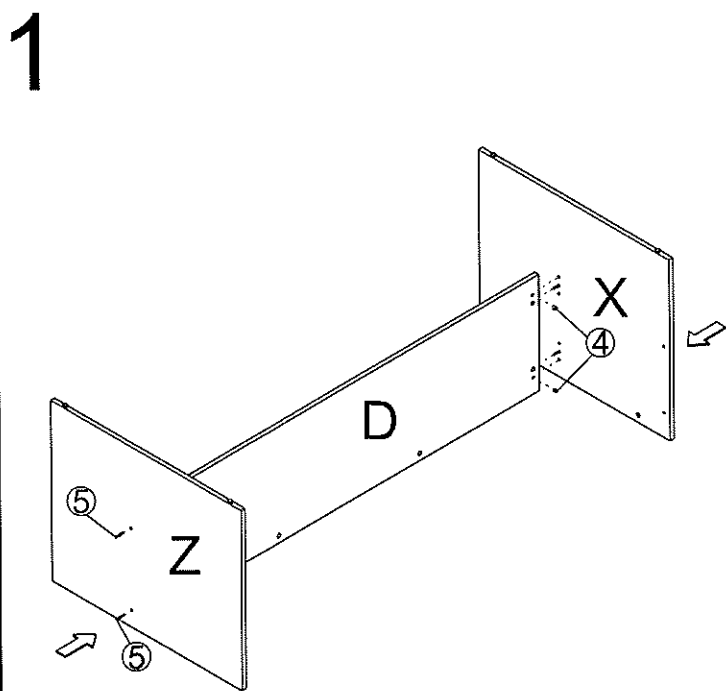
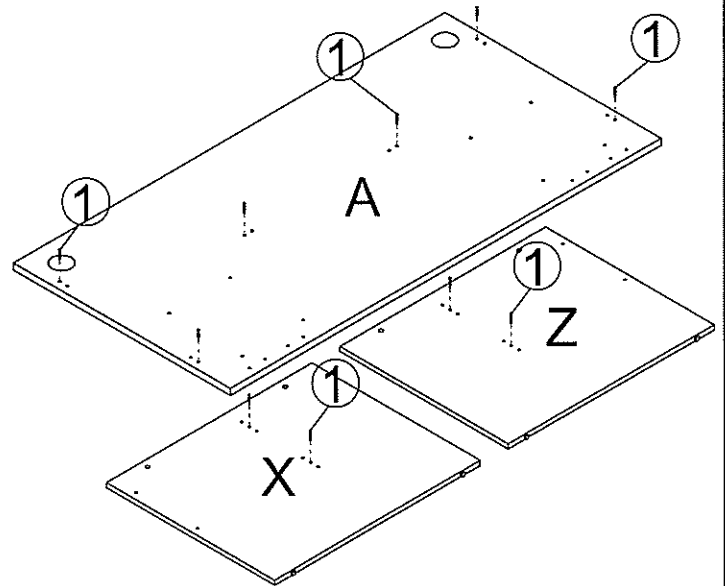
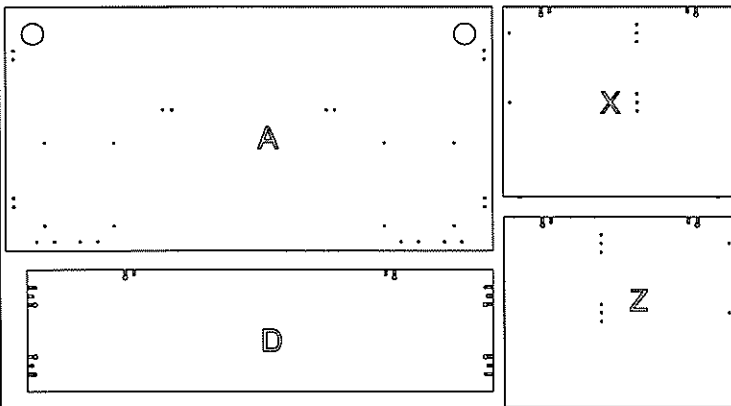
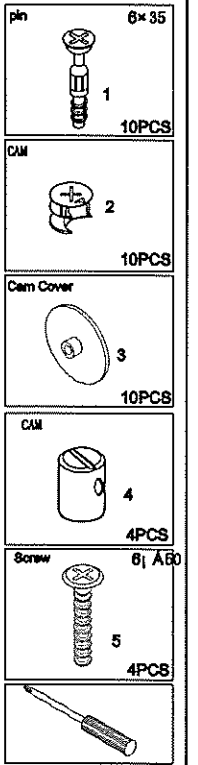
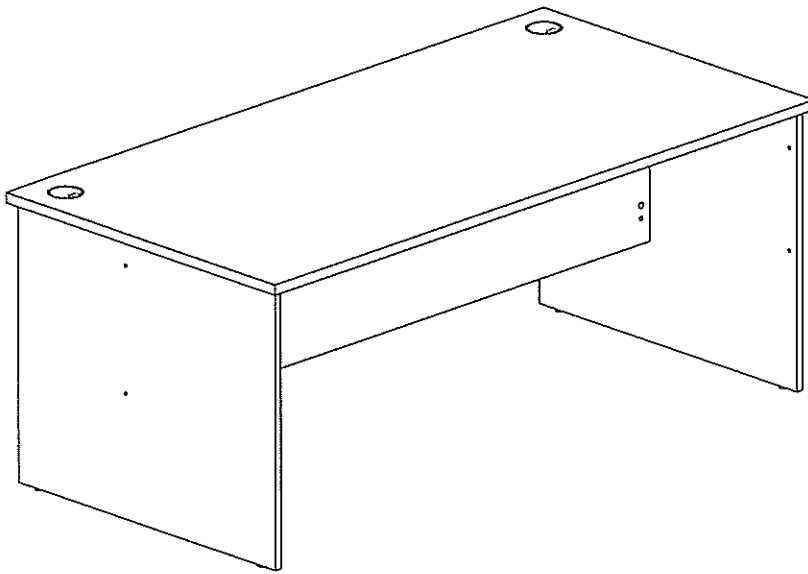
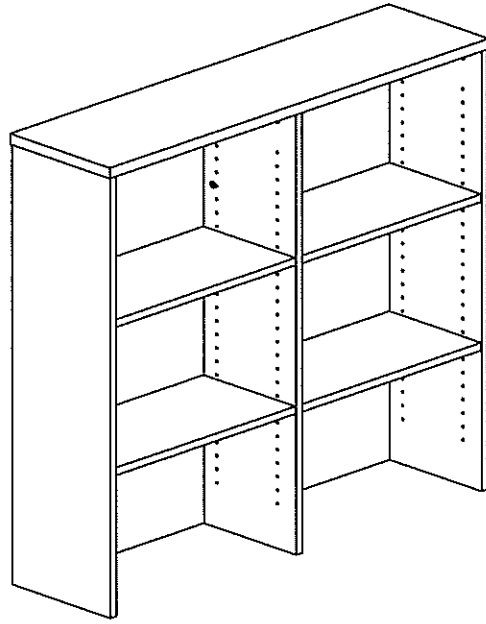








ASSEMBLY INSTRUCTIONS



ASSEMBLY INSTRUCTIONS



Pin	6x35		1	18PCS
CAM			2	18PCS
Cam Cover			3	18PCS
Bolt Nut/Bx			4	18PCS
Bracket			5	4PCS
Screw	4, A1B		6	16PCS
