



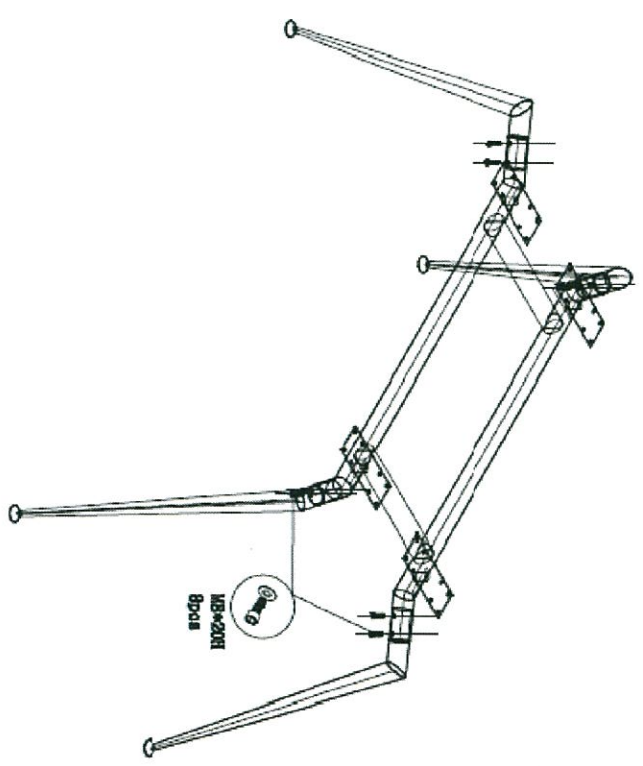


ASSEMBLY INSTRUCTIONS

	MS-20H 32pcs		MS-1H 8pcs
	MS-20H 8pcs		1pcs



****PLEASE NOTE****

Supplied timber top attaching screws are for use with top thicknesses of 25mm or greater. Do not use these screws if your top thickness is less than 25mm

