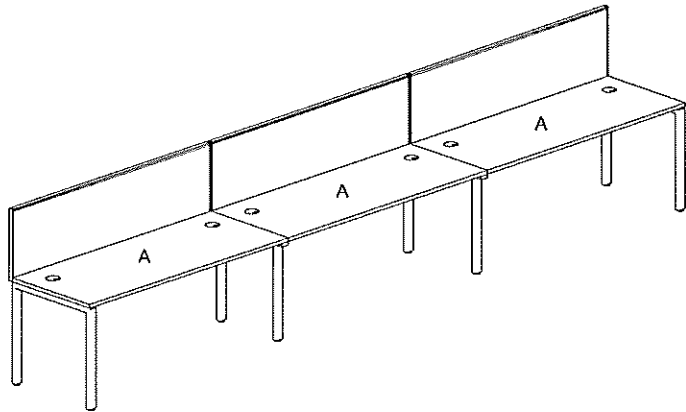


# Assembly Instructions

MODEL NO:

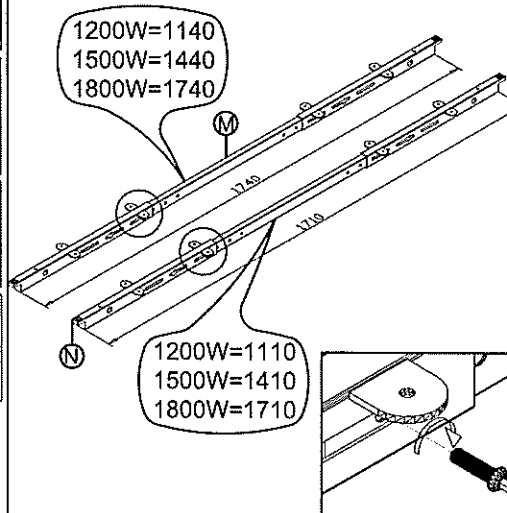
# Assembly Instructions

MODEL NO:

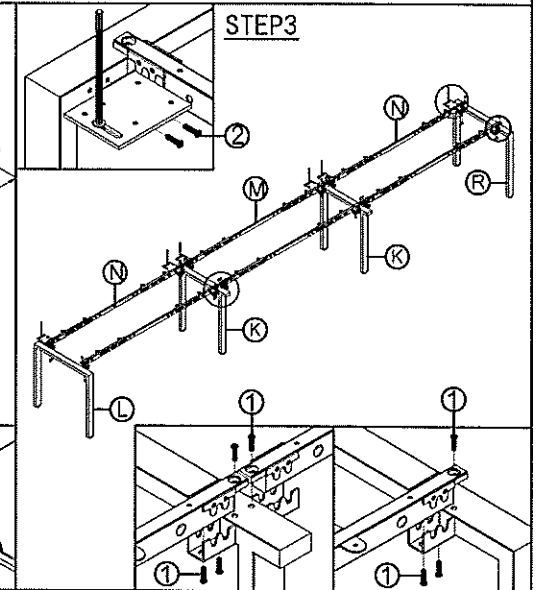


<p>Screw 8x16 1 48PCS</p>	<p>R 5 3PCS</p>
<p>Screw 6x16 2 12PCS</p>	<p>6 1PCS</p>
<p>Screw 5x20 3 90+4PCS</p>	<p>7 1PCS</p>
<p>L 4 3PCS</p>	<p>8 1PCS</p>

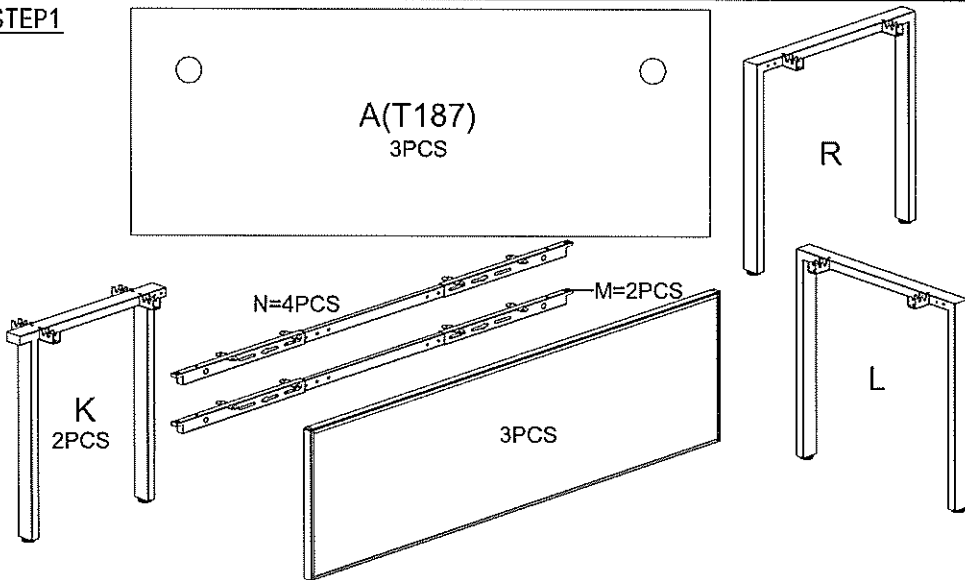
## STEP2



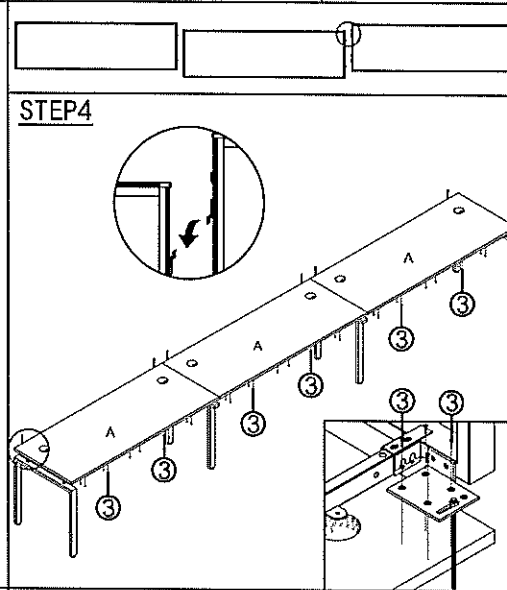
## STEP3



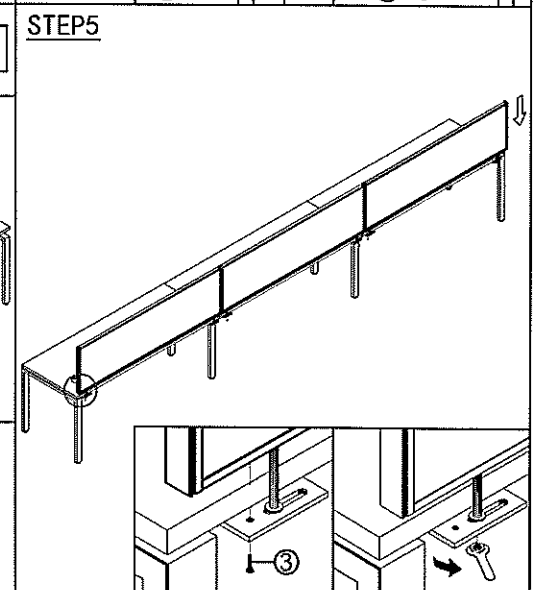
## STEP1



## STEP4



## STEP5



### IMPORTANT NOTE:

- Place all laminated parts on a clean and smooth surface such as a rug or carpet to avoid the parts from being scratched.
- Check to be sure that you have all parts and hardware.
- Remove all wrapping materials, including staples & packing straps before you start to assemble.
- Don't tighten all screws/bolts until all completely assembled.
- Keep all hardware parts out of reach of children



### IMPORTANT NOTE:

- Place all laminated parts on a clean and smooth surface such as a rug or carpet to avoid the parts from being scratched.
- Check to be sure that you have all parts and hardware.
- Remove all wrapping materials, including staples & packing straps before you start to assemble.
- Don't tighten all screws/bolts until all completely assembled.
- Keep all hardware parts out of reach of children

