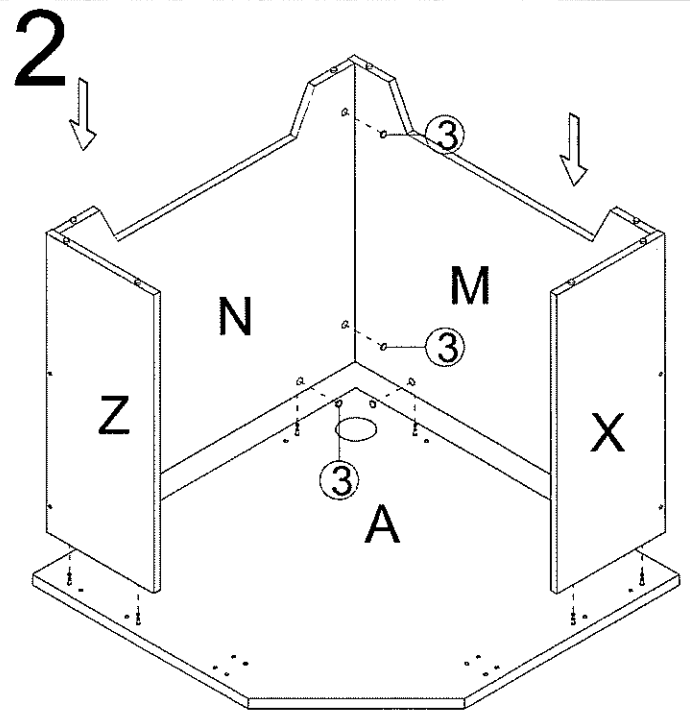
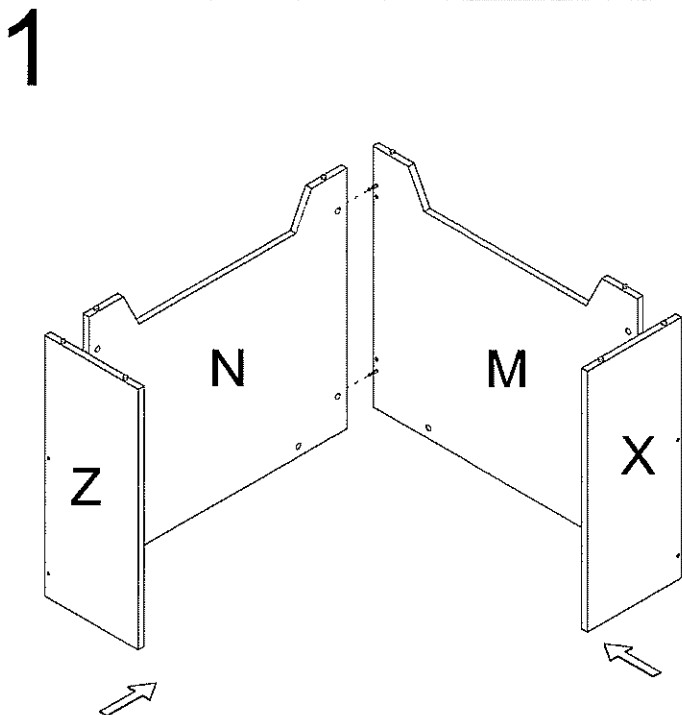
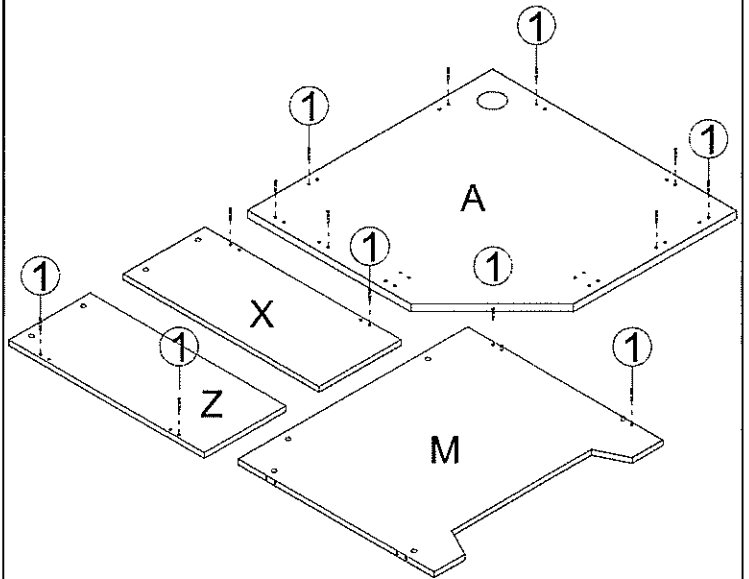
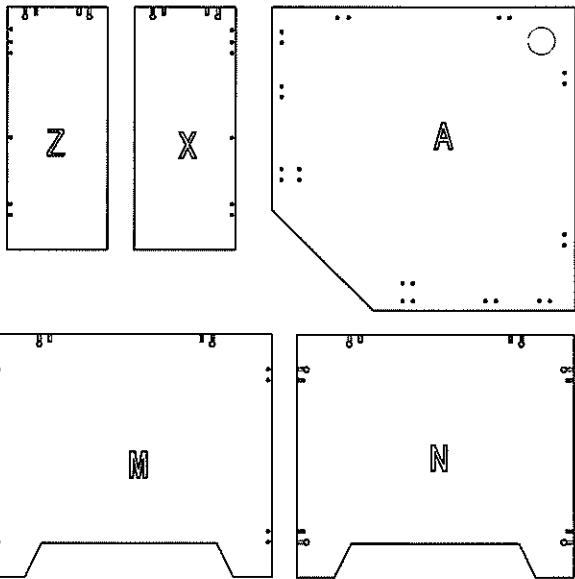
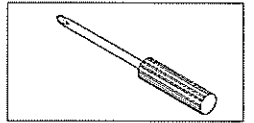
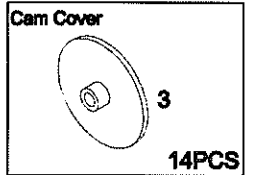
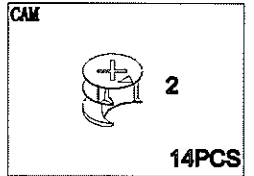
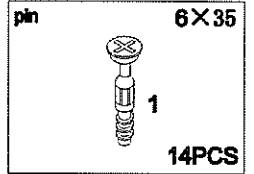
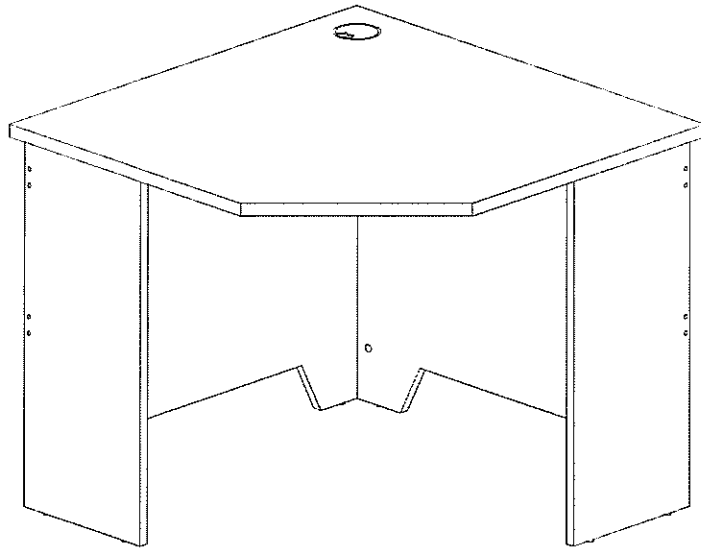
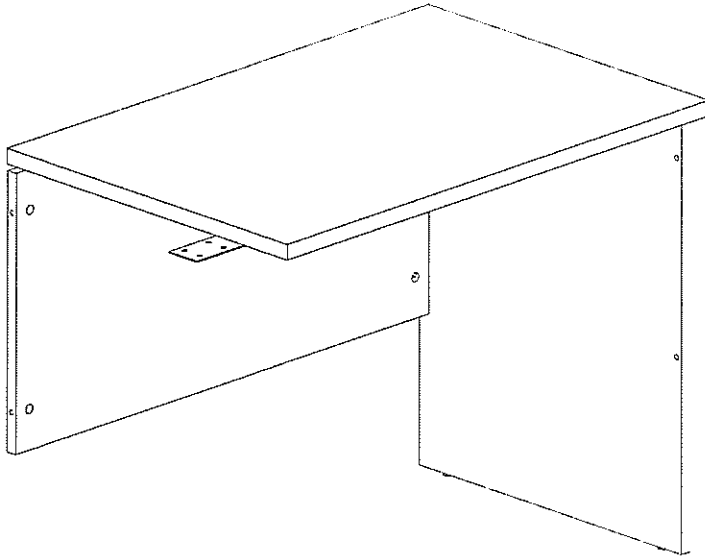


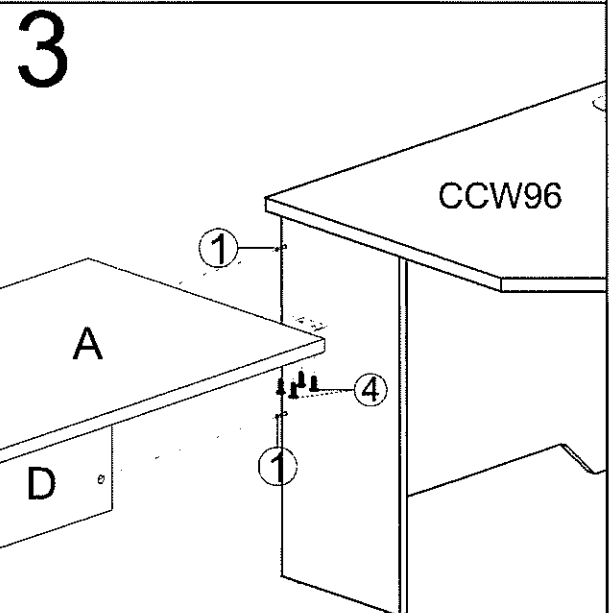
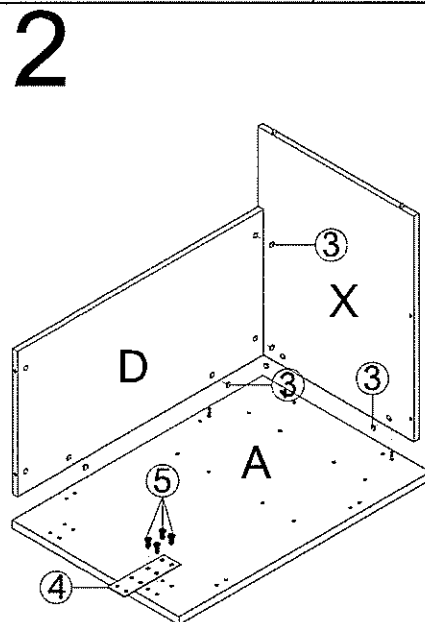
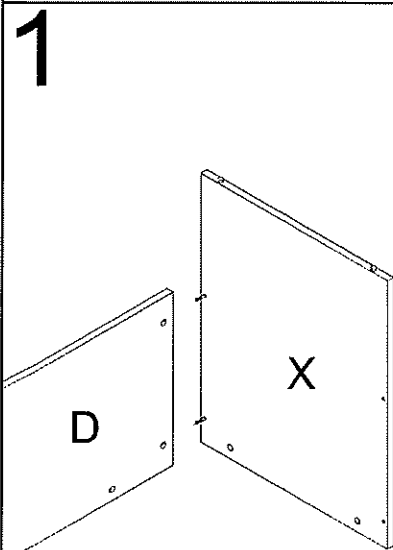
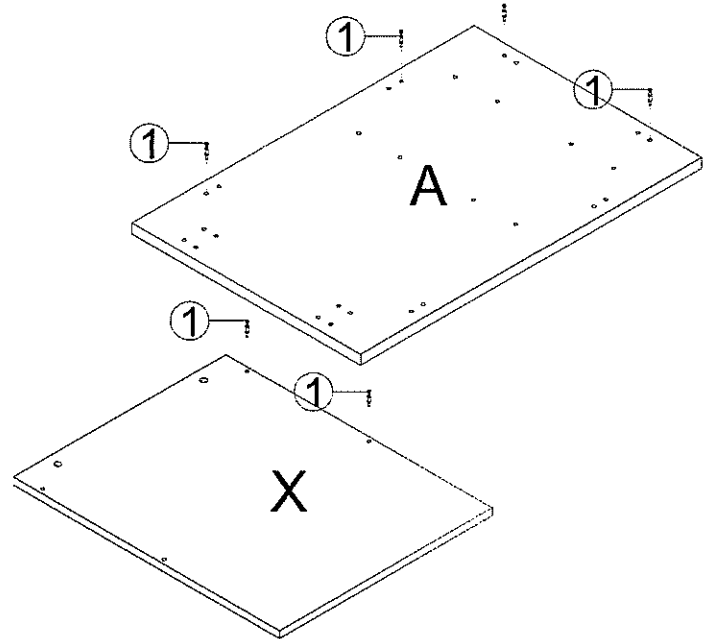
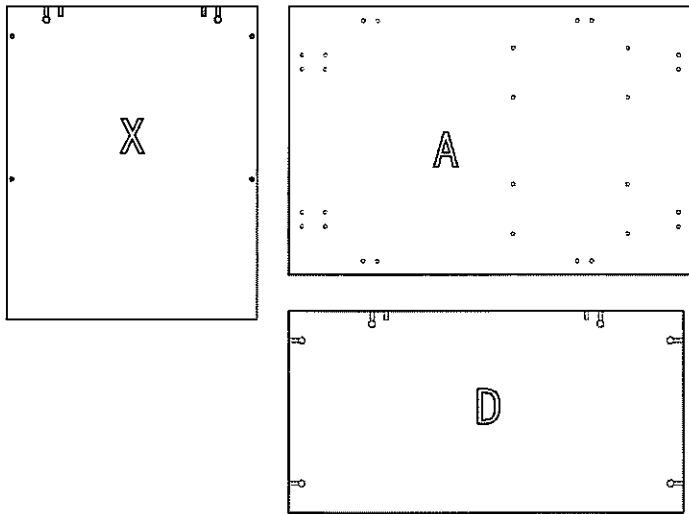
# ASSEMBLY INSTRUCTIONS



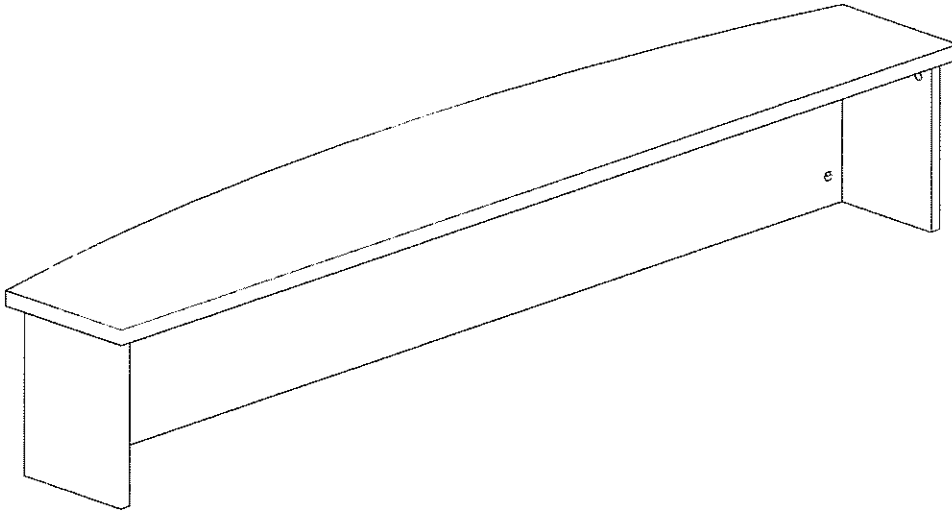
# ASSEMBLY INSTRUCTIONS





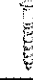



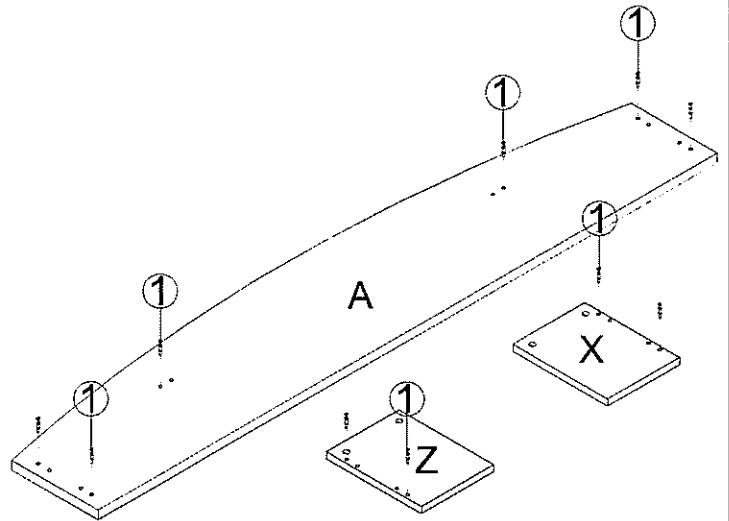
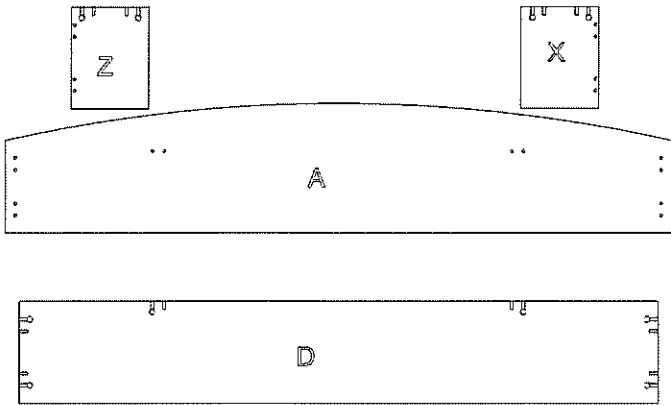
pin	6x35	1	8PCS
CAM		2	8PCS
Cam Cover		3	8PCS
CONNECTOR	200x60x2	4	1PCS
Screw	6x12	5	8PCS



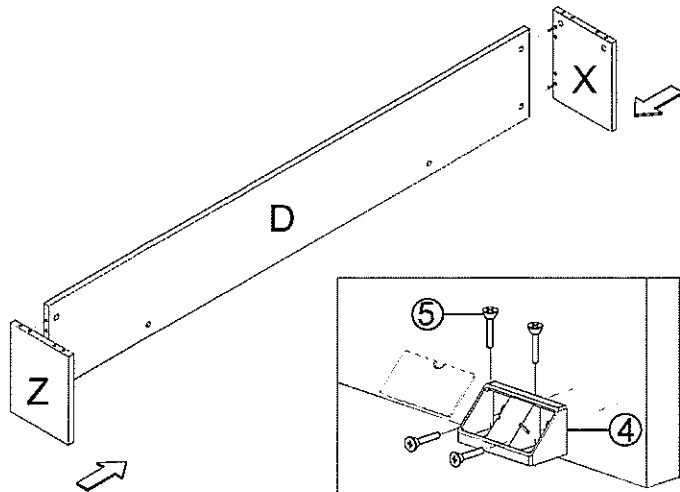
# ASSEMBLY INSTRUCTIONS



pin		6x35
	1	10PCS
CAM		
	2	10PCS
Cam Cover		
	3	10PCS
Bracket		
	4	4PCS
Screw		4x18
	5	16PCS
		



1



2

