

Instructions

This product mainly uses artificial board as base material and natural wood veneer overlaying the surface finishing. Some of the lines and the framework use solid wood processing and hardware for connection and for overall plate structures. This product meets the standard GB/T 3324-2008, which defines 16 ± 1% (Hangzhou) wood water content, formaldehyde release quantity to 1.5 mg/L, or less soluble heavy metals (paint) limited in accordance with national standards.

- This is the product manual. Please read it carefully before using the furniture. When using and maintaining the product correctly, it will last for many years to come.
- Do not put furniture directly to sun, air conditioner or close to a heating radiator. This may cause color changes and the paint may fall off and it can also lead to deformation of furniture.
 - High temperature or frozen items should not be placed directly on the furniture, because at a certain temperature it can cause surface discoloration, leaving permanent traces.
 - Don't tilt furniture in any direction, or it will cause furniture components loose and even broken.
 - Should you put heavier or harder objects on the furniture, we advice you to use a soft cloth mat on the surface for the purpose of protection.
 - Don't move items directly on the furniture, which can scratch the surface, and also needed to avoid sharp objects on the surface of the furniture scratch.
 - When you need to move furniture, please move slightly off the ground.
 - Do not use plastic or rubber items for a long time in direct contact with the surface of the furniture. The chemical composition may cause damage.
 - When eliminating smoke oil and other pollution traces, please use cleanser for exclusive furniture. Be sure not to use chemical cleanser or acid liquid to clean.
 - When not in use for a longer period, cover with dust cover, storage indoor in a dry ventilated environment and avoid light.

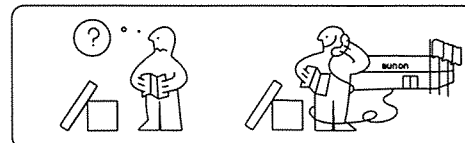
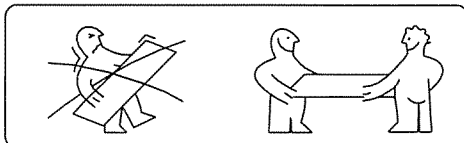
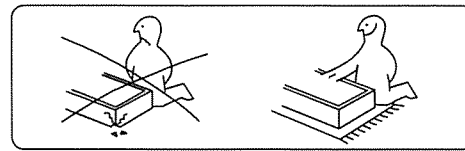
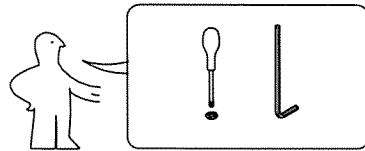
Trouble shooting

Problems	Anylysis	Solutions
Hinge is loose	Fixed screw is loose	Tighten the screws
Door cannot be opened smoothly	Furniture is not horizontal or problem with hinges	Put furniture horizontal or adjust hinges
Drawer cannot be opened smoothly Overloaded	Overloaded, resulting in lack of lubricating oil	Cut down the weight and add some lubricate oil on rails
Desktop Whitening	Due to high temperature	Use a wet towel to cover the white place until the color has recovered
Connector is loose	Eccentric connect part is loose	Tighten
Shelf distort	Overloaded	Reduce the weight

Assembly instructions

- Before installation, make sure where you place your furniture, in order to avoid moving furniture after completing the installation.
- Do not put furniture in extreme conditions such as damp and hot environment.
- Check the objects in the product packing bag according to the packing list. See the figure of the product and determine product part structure.
- After unpacking the products, determine the left and right sides of the product as well as the directions up and down before installation.
- Be careful during installation. The installation of the furniture is very easy but you need patience.
- After installation, please check the stability of the furniture. You can gently shake it to confirm whether the furniture and floor are horizontal and screws are tight.
- Before usage, we recommend you to open the drawers and sealing doors for a while in order to eliminate the odor residues in surface coatings.

Attention



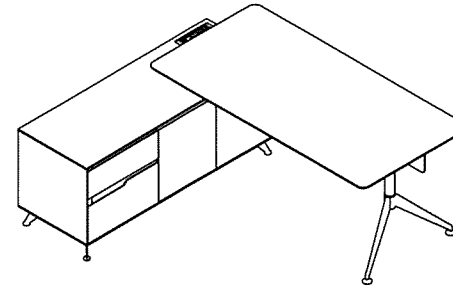
① Safe handling products, need many people handling products

③ If you have any questions, please contact us

Operation Introduction

Introduction

Please pay attention to read the manual before using our products.



Item Name: Manager Table

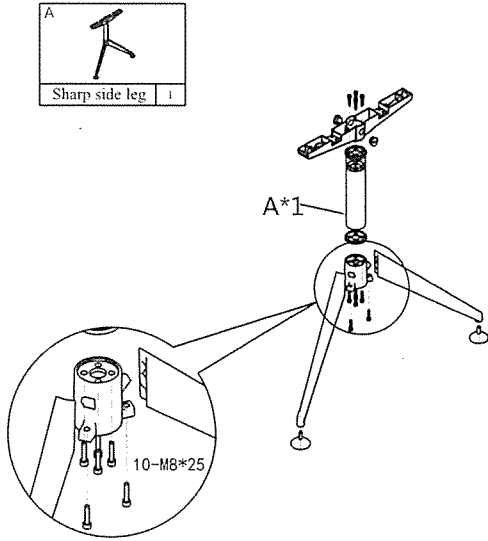
Size: 2350*1850*750 2150*1850*750 1950*1850*750

Our products are designed for office, interior

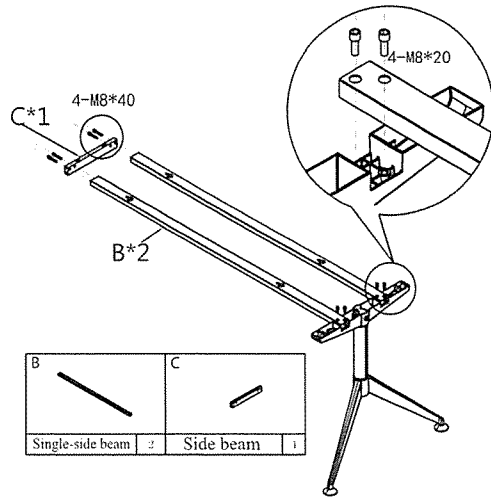
Fitting List

A		B		C		D	
Sharp side leg		1		Sharp single-side beam		2	
				Sharp side beam		1	
E		F		G		H	
M6*18		Round head hex screw		22		M6*35	
				Skirting board hanger		2	
				Cover of skirting board hanger		2	
				M6*35		Flat head cross screw	
I		J		K			
M6*12		Position piece		4		M6*16	
				Shallow hex screw		4	
				M6*12		Customized hex screw	
						4	

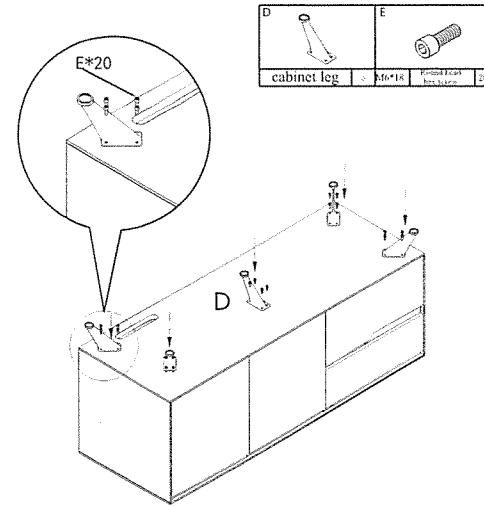
Step 1: Install Sharp side leg



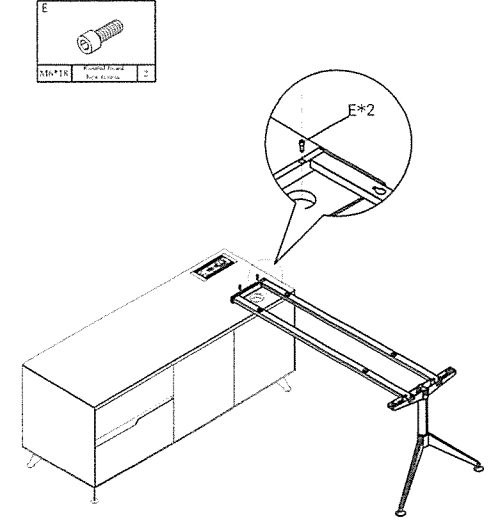
Step 2: Install single-side beam and side beam



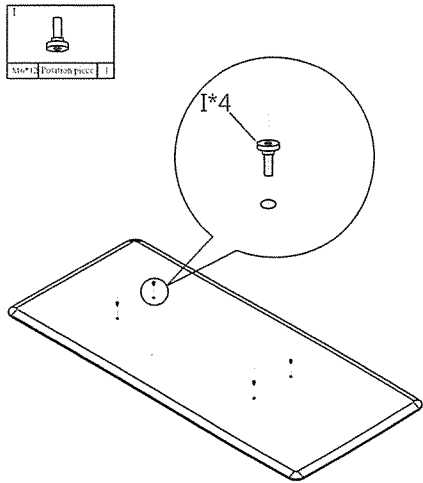
Step 3: Install the leg of side cabinet



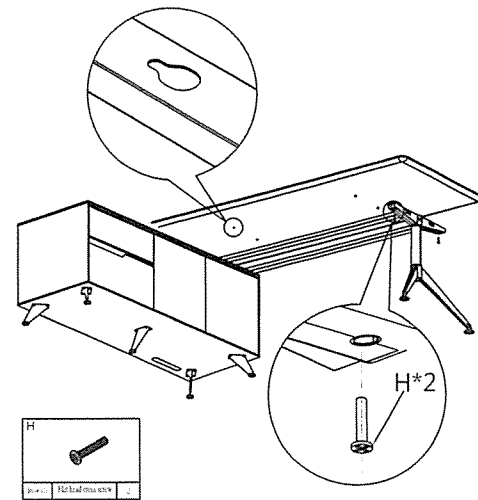
Step 4: Install steel beam and side cabinet



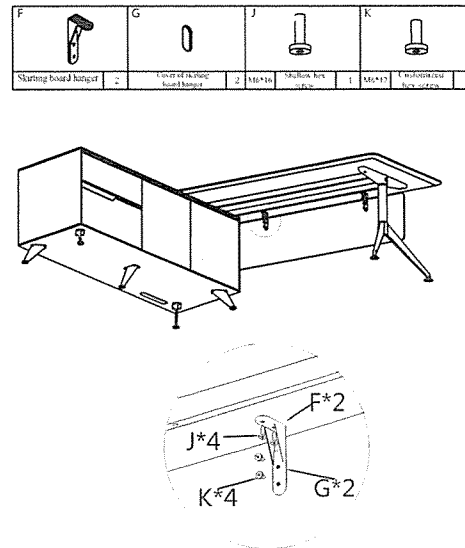
Step 5: Install Sharp position piece and desktop



Step 6: Install desktop



Step 7: Install skirting board



Step 8: Finish installation

