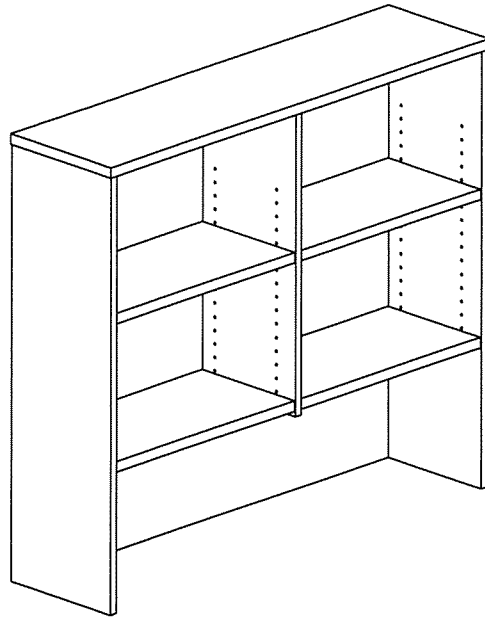
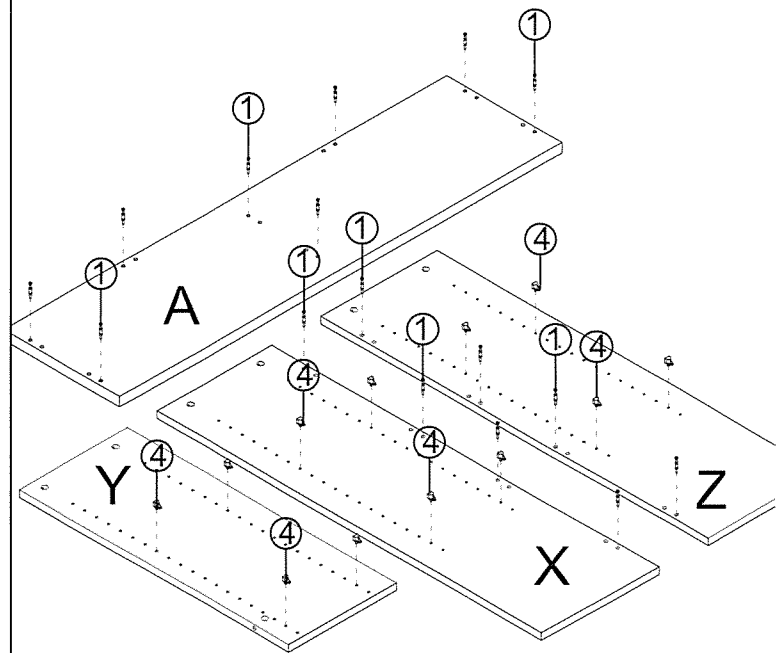
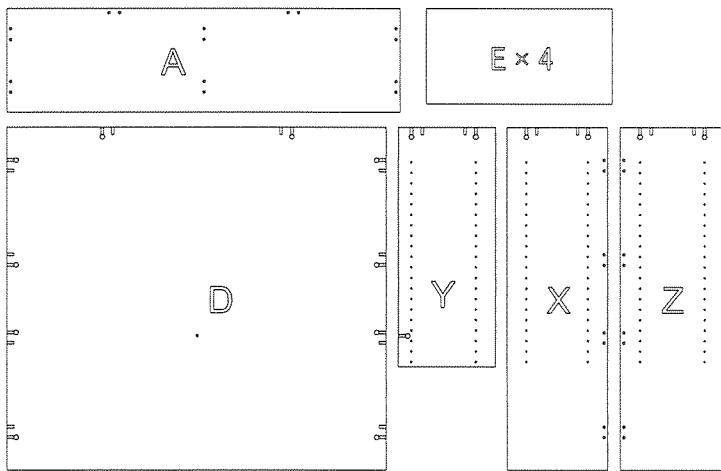


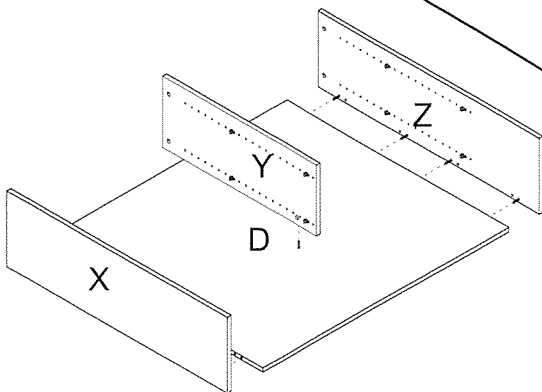
ASSEMBLY INSTRUCTIONS



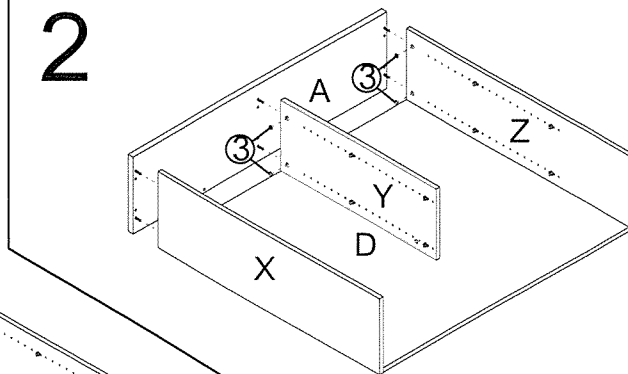
pin	6x35
1	17PCS
CAM	
2	17PCS
Cam Cover	
3	17PCS
Bolt Minifix	
4	16PCS
Bracket	
5	4PCS
Screw	4x16
6	16PCS



1



2



3

