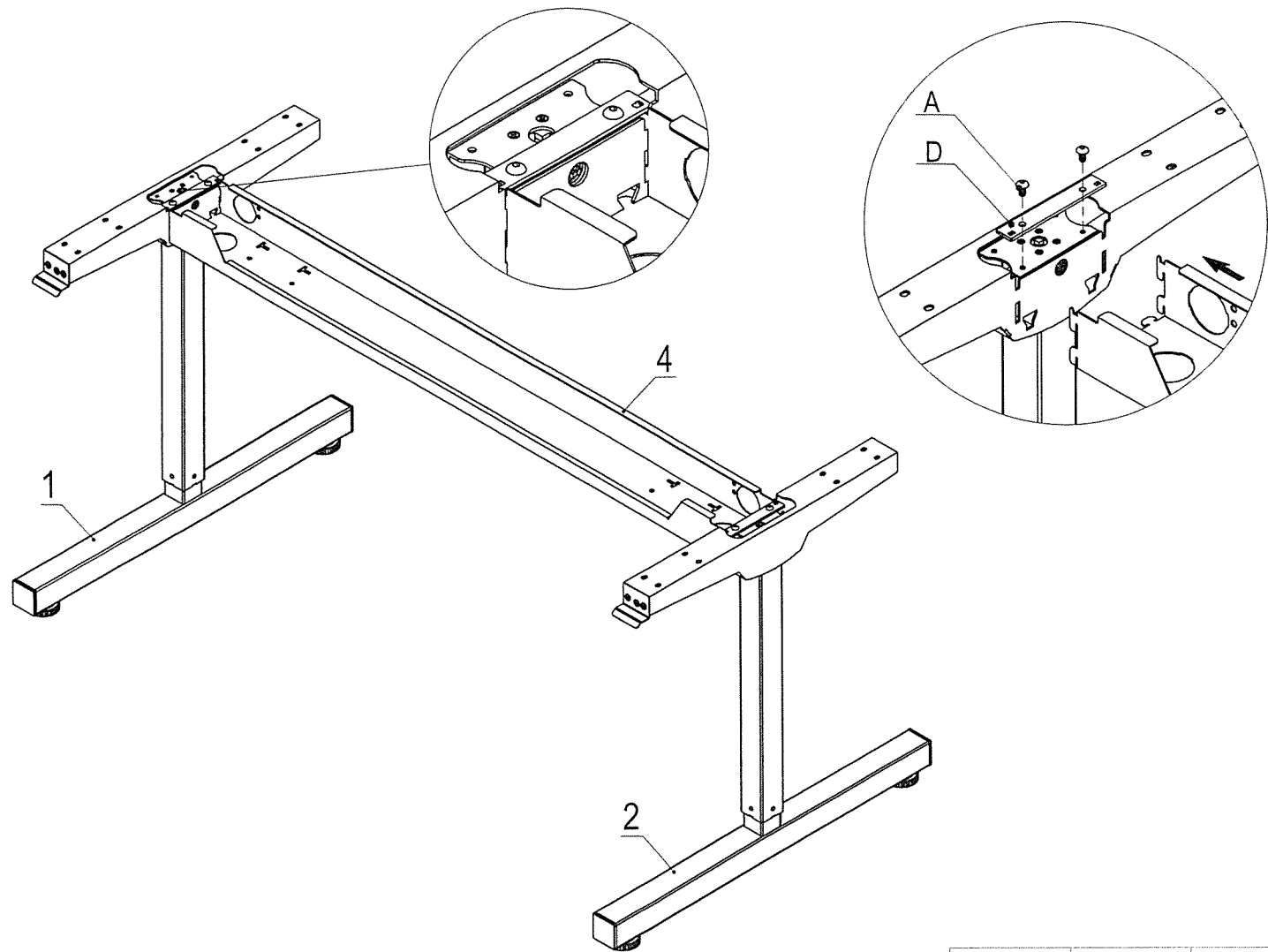



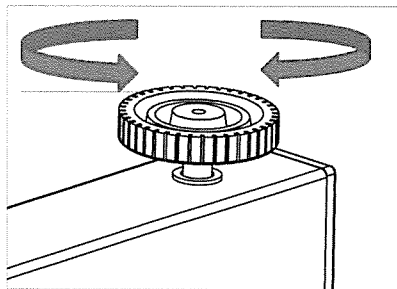
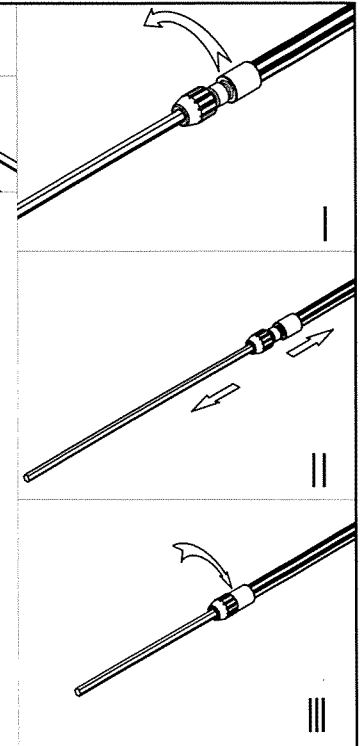
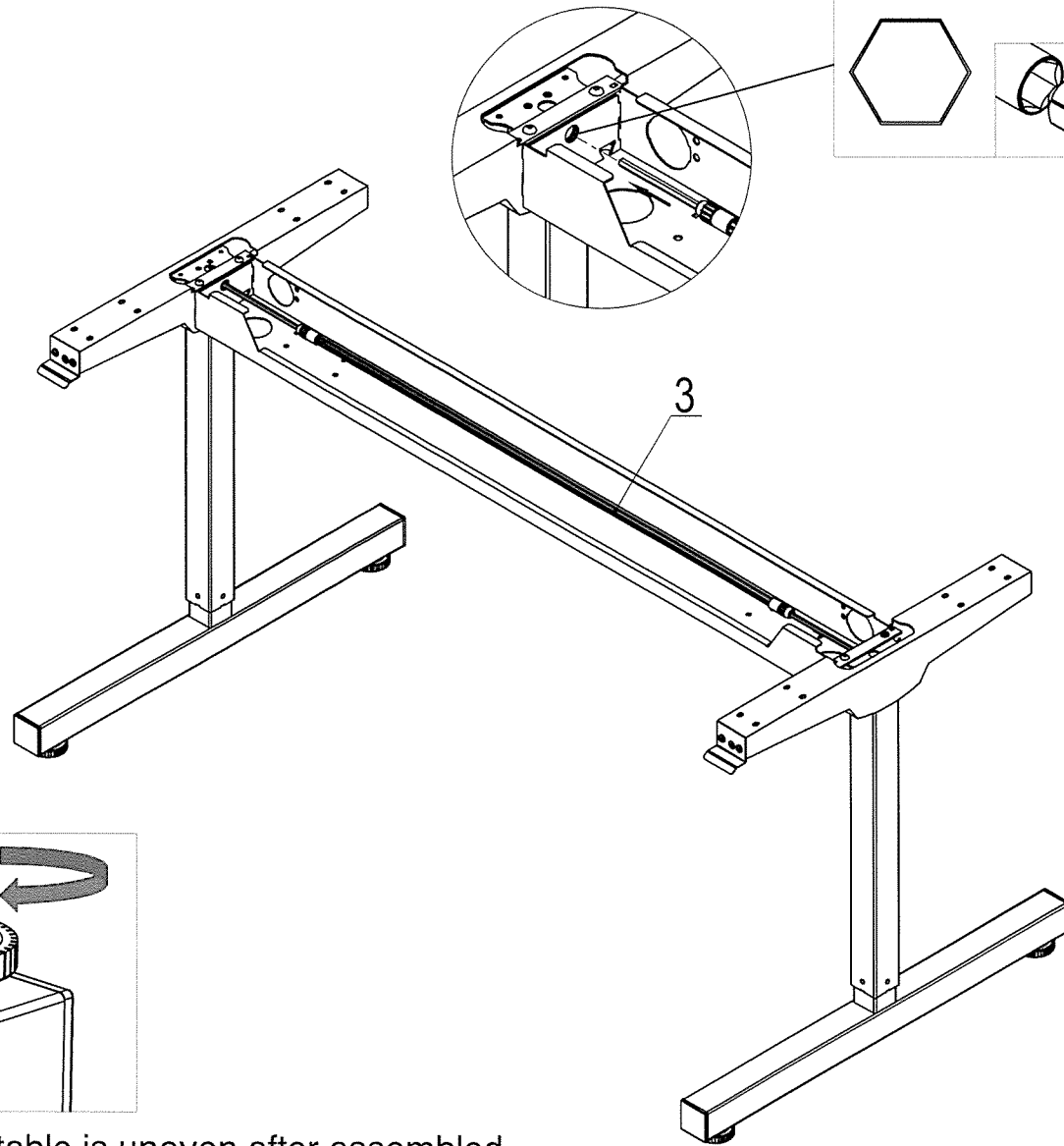

Ax4(M6x12)	Bx8(M6x12)	Cx1(4mm)	Dx2	Ex1	Spare Part

Step 1



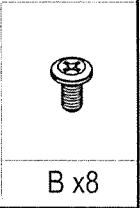
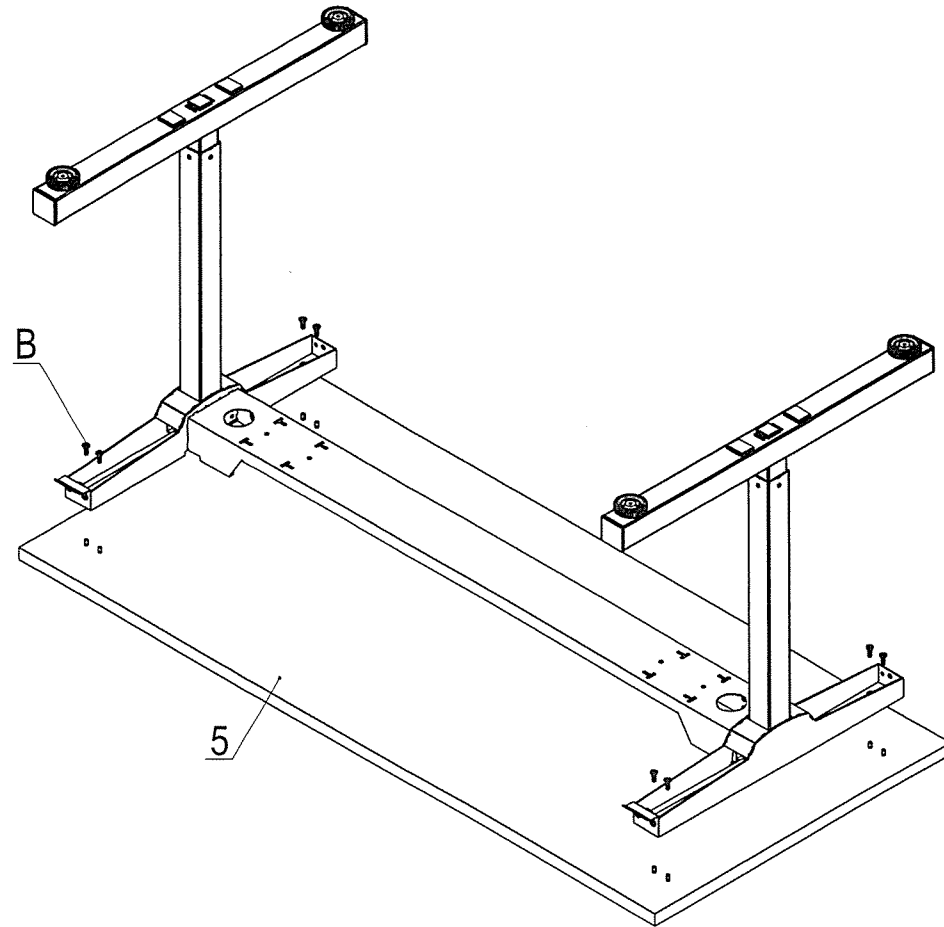
		
A x4	C x1	D x2

Step 2

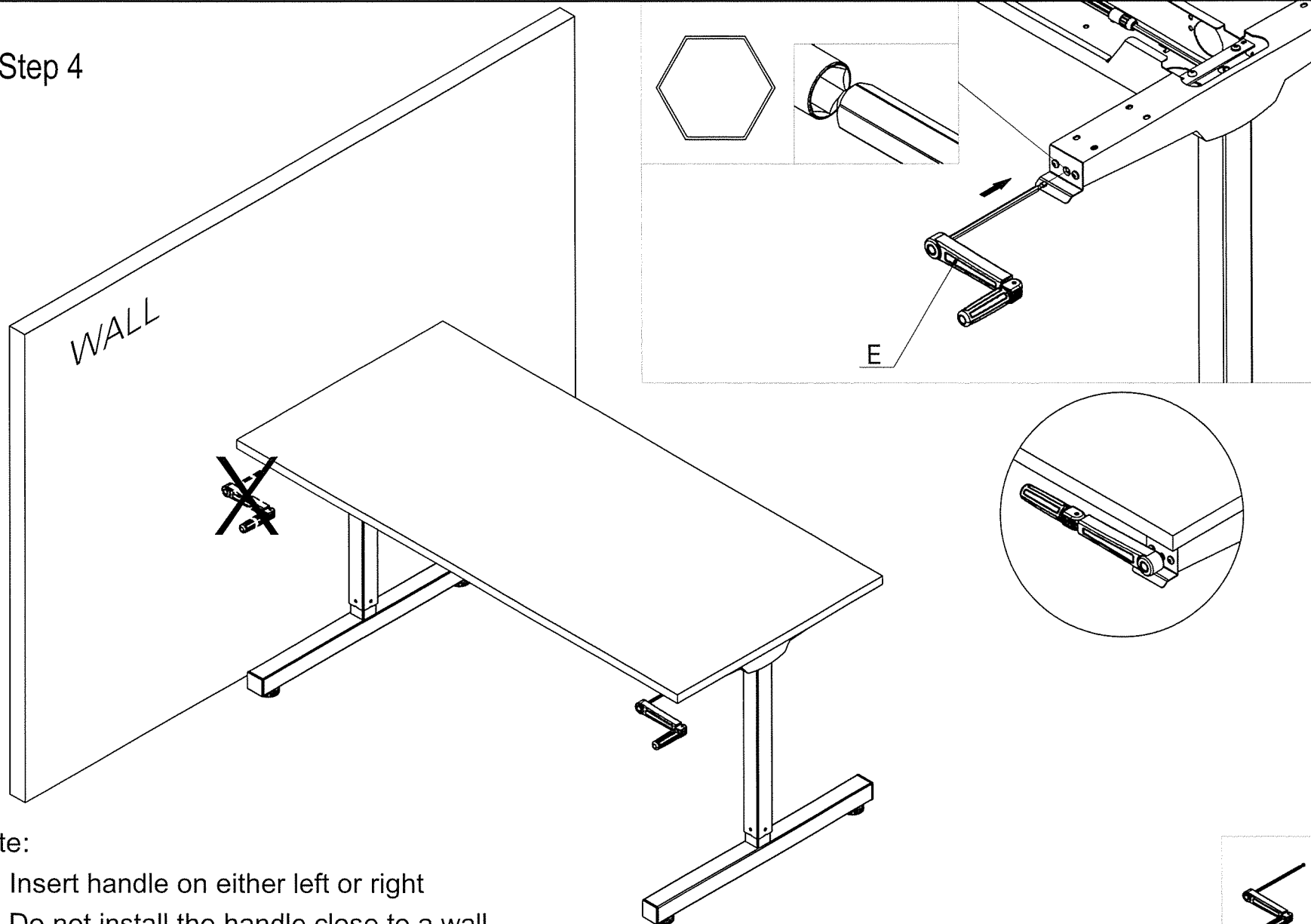


Adjust leveler if table is uneven after assembled

Step 3



Step 4



Note:

- I. Insert handle on either left or right
- II. Do not install the handle close to a wall



Ex1